

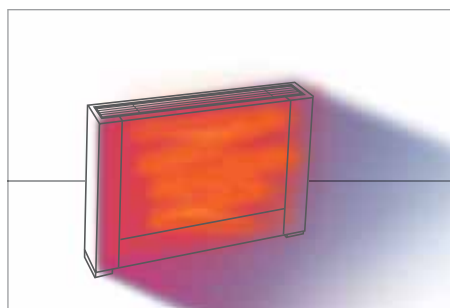
SLR - FAN COIL WITH RADIANT PLATE

PLUSES



RADIANT TECHNOLOGY

Radiant heating thanks to the installed radiant plate which lets reach the desired temperature faster. The special Calostat valve, standard on all units, enables water to pass into both heat exchange coil and radiant plate.



COMPACT TECHNOLOGY

Means constant care to every detail, to design and to components engineering. Products are therefore invented, designed and created with extremely compact sizes, without unnecessary dimensions. Bi2 is only 12.9 cm deep, versus the 20-25 cm of a traditional fan coil.



AIR SYSTEM

The structure of the fan and the electronic motor that modulates its speed ensure extremely uniform air distribution and homogeneous room temperature.



METAL FRAME

The exquisite look, its lightness and the solidity of Bi2 are design characteristics made possible by the painted metal frame and the aluminum grid.



FEATURES

COOLING, DEHUMIDIFYING, HEATING AND AIR CLEANING
ONLY 12.9 CM DEEP

RANGE INCLUDES 5 MODELS:

SLR 200, SLR 400, SLR 600, SLR 800, SLR 1000

DISPONIBILE NEI COLORI



White



Silver

AVAILABLE IN TWO VERSIONS: 2 PIPES – 4 PIPE
WITH GRID – FULL FLAT*



BI2 FULL FLAT



BI2 WITH GRID

* FULL FLAT VERSION: innovative model with revolutionary design. The first Bi2 in which the grid is replaced by a small motor-driven movable panel that activates when the unit is switched on and moves back when it is switched off. The Full Flat version is for vertical installation only.

INSTALLATION VERSATILITY: on wall or floor standing



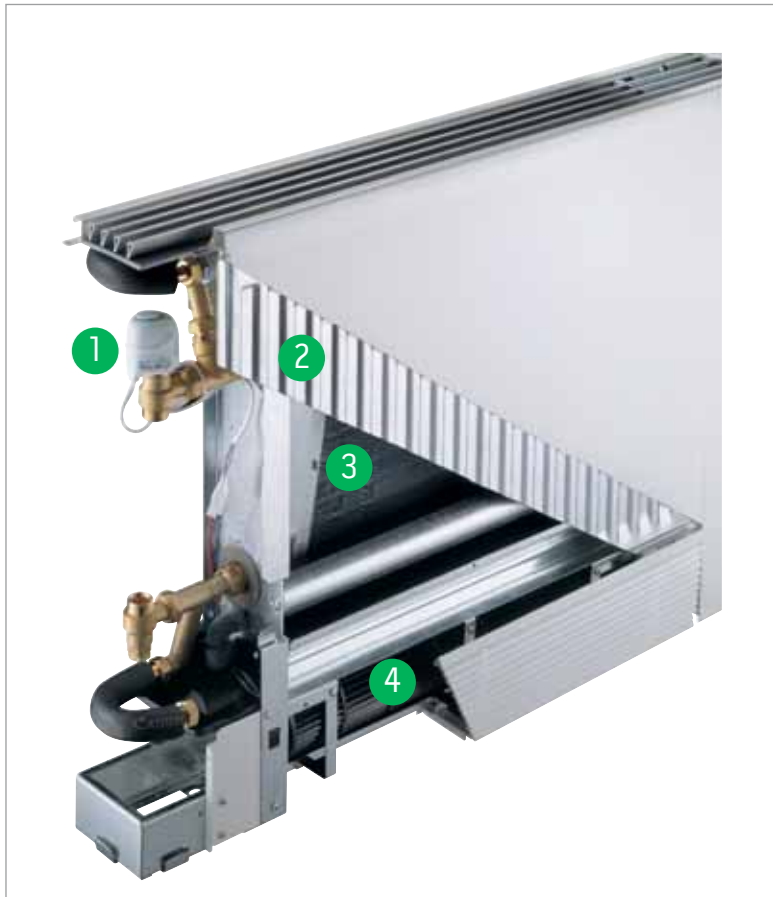
Wall installation.



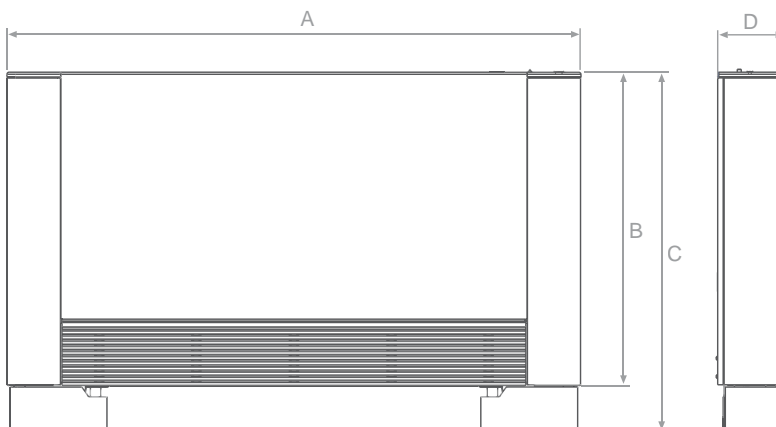
Floor installation.

EASY MAINTENANCE: easy-to-remove air filters and front access to the fan make cleaning easier.

TECHNICAL ANALYSIS



- 1) Electrothermal valve
- 2) Radiant plate
- 3) Coil
- 4) Tangential fan



SLR MODEL (with radiant plate)		SLR 200	SLR 400	SLR 600	SLR 800	SLR 1000
A	mm	697	897	1097	1297	1497
B	mm	639	639	639	639	639
C	mm	719	719	719	719	719
D	mm	129	129	129	129	129
Weight 2 pipes version	kg	19	25	29	34	38
Weight 4 pipes version	kg	22	27	32	36	41

TECHNICAL DATA

Bi2 2 pipes SLR version with radiant plate						
MODEL		SLR200	SLR400	SLR600	SLR800	SLR1000
Silver - Full Flat version	code	01008	01021	01022	01023	01024
White - Full Flat version	code	00960	00961	00963	00964	00965
Silver - Grid version	code	00950	00951	00952	00953	00954
White - Grid version	code	00945	00946	00947	00948	00949

Bi2 4 pipes SLR version with radiant plate						
MODEL		SLR200	SLR400	SLR600	SLR800	SLR1000
Silver - Grid version	code	01042	01043	01044	01045	01046
White - Grid version	code	01037	01038	01039	01040	01041

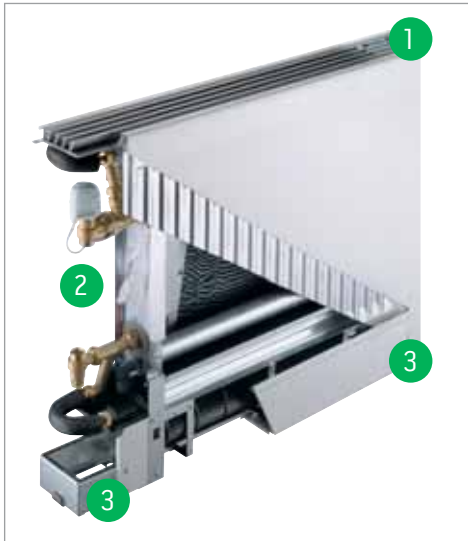
		Bi2 2 pipes SLR version with radiant plate					Bi2 4 pipes SLR version with radiant plate				
MODEL		SLR200	SLR400	SLR600	SLR800	SLR1000	SLR200	SLR400	SLR600	SLR800	SLR1000
(a) Total cooling capacity	kW	0,83	1,76	2,63	3,33	3,81	0,76	1,62	2,42	3,04	3,64
Sensible cooling capacity	kW	0,62	1,27	1,96	2,65	3,01	0,57	1,21	1,80	2,30	2,72
Water flow rate	lt/h	142	302	453	573	655	130	277	416	523	627
Water pressure drops	kPa	7,2	8,4	22,5	18,6	24,9	6,1	7,1	18,6	14,9	21,7
(b) Heating capacity 50°C	kW	1,16	2,48	3,42	4,47	5,22	0,67	1,4	1,95	2,5	3,32
Water flow rate (50°C)	lt/h	164	348	521	659	753	115	241	335	430	571
Water pressure drops (50°C)	kPa	3,5	6,4	16,3	16,7	19,9	3,2	7,4	13	14,3	24,1
(c) Heating capacity	kW	2,03	4,21	5,86	7,61	8,93	1,11	2,30	3,19	4,08	5,43
Water flow rate (70°C)	lt/h	175	362	504	654	768	95	198	274	351	467
Water pressure drops (70°C)	kPa	3,7	6,4	14,3	15,3	19,1	2,5	5,6	9,1	7,6	14,1
Max. static heating capacity (50°C)	W	356	424	502	621	767	338	403	477	590	729
Max. static heating capacity (70°C)	W	593	707	836	1035	1279	563	672	794	983	1215
Coil water content	l	0,47	0,8	1,13	1,46	1,8	0,47	0,8	1,13	1,46	1,8
Radiator plate water content	l	0,9	1,3	1,7	2,1	2,4	0,9	1,3	1,7	2,1	2,4
Maximum operating pressure	bar	10	10	10	10	10	10	10	10	10	10
Water pipe fittings inches	pollici	Eurokonus 3/4	Eurokonus 3/4	Eurokonus 3/4	Eurokonus 3/4	Eurokonus 3/4	Eurokonus 3/4	Eurokonus 3/4	Eurokonus 3/4	Eurokonus 3/4	Eurokonus 3/4
(d) Air flow rate max	m³/h	162	320	461	576	648	147	289	411	529	602
(d) Air flow rate min	m³/h	55	155	248	370	426	51	138	215	336	404
Supply voltage	V/ph/Hz	230/1/50	230/1/50	230/1/50	230/1/50	230/1/50	230/1/50	230/1/50	230/1/50	230/1/50	230/1/50
Max power input	A	0,11	0,24	0,25	0,26	0,27	0,11	0,24	0,25	0,26	0,27
Max power input at minimum speed	W	17	38	41	42	43	17	38	41	42	43
Max air flow sound pressure	dB(A)	41	43	43	43	44	41	43	43	43	44
Min air flow sound pressure	dB(A)	25	28	29	26	28	25	28	29	26	28

Notes

- (a) Water temperature at coil inlet 7°C, Water temperature at coil outlet 12°C, Room temperature 27° C db and 19°C wb
 (b) Water temperature at coil inlet 50°C, water flow rate as for cooling + plate, ambient air temperature at inlet 20°C.
 (c) Water temperature at coil inlet 70°C, water temperature at coil outlet 60°C, ambient air temperature at inlet 20°C.
 (d) Air flow measured with clean filters.

SLR 2 pipes

Model with radiant plate for vertical installation only



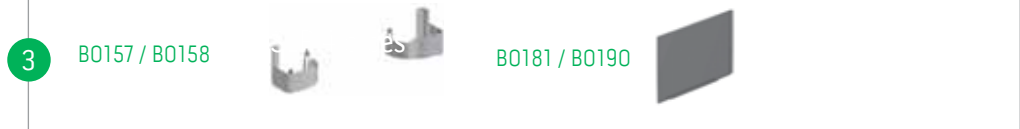
CONTROLS KIT



PLUMBING KIT



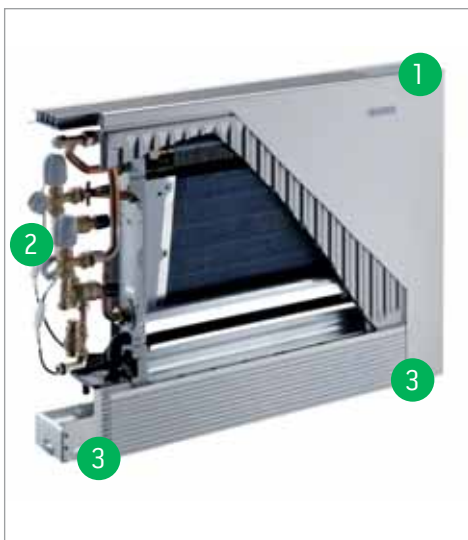
DESIGN KIT



*Not compatible with full-flat version

SLR 4 pipes

Model with radiant plate for vertical installation only



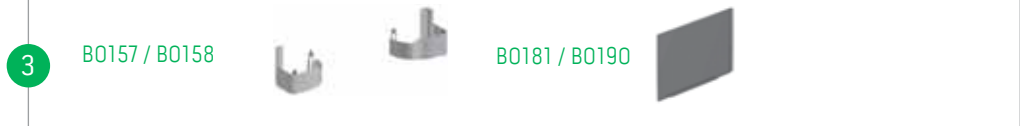
CONTROLS KIT



PLUMBING KIT



DESIGN KIT



** Kit composed of 2 valves, 2 lockshields and connection tubes.